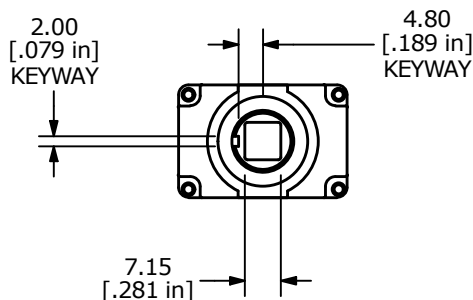
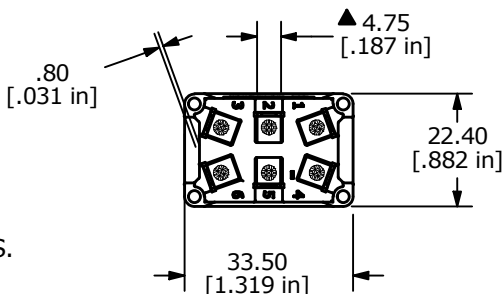
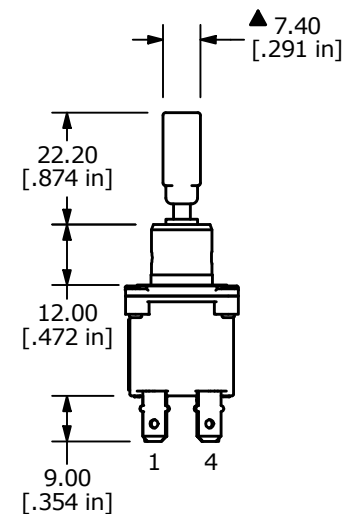
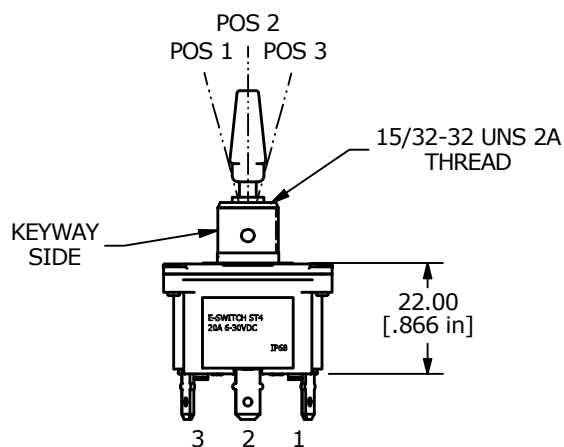


RECOMMENDED PANEL CUT-OUTS



SWITCH FUNCTION		
POS. 1	POS. 2	POS. 3
(ON)	OFF	(ON)
1-2, 4-5	NONE	2-3, 5-6

(ON)=MOMENTARY



NOTES:

- ALL DIMENSIONS IN MM [INCH]
- GENERAL TOLERANCE: X.X=±0.4
X.XX=±0.25
- TERM. NOS. FOR REF. ONLY
- RATING: 20A 6-30VDC μ T55
- ELECTRICAL LIFE: 6,000 CYCLES
- CONTACT RESISTANCE: <20 MILLI-OHMS INITIAL
- DIELECTRIC STRENGTH: >1,500V AC 1MIN
- INSULATION RESISTANCE: >100MOHMS
- OPERATING TEMP: -10°C to 65°C
- INGRESS PROTECTION: IP68
- ▲ DENOTES CRITICAL PARAMETER.
- SUPPLIED HARDWARE: TOOTH WASHER AND TWO HEXNUTS.

REV	ECO NO	DESCRIPTION	DATE	BY
A	ECO-100125	NEW RELEASE	05/21/21	MR



OBJECT ID
100116667

TITLE ST4DP10DT2C1				
SCALE 2:3	DATE 5/17/2021	DR MJR	DWG 14-ST4DP10DT2C1	REV A